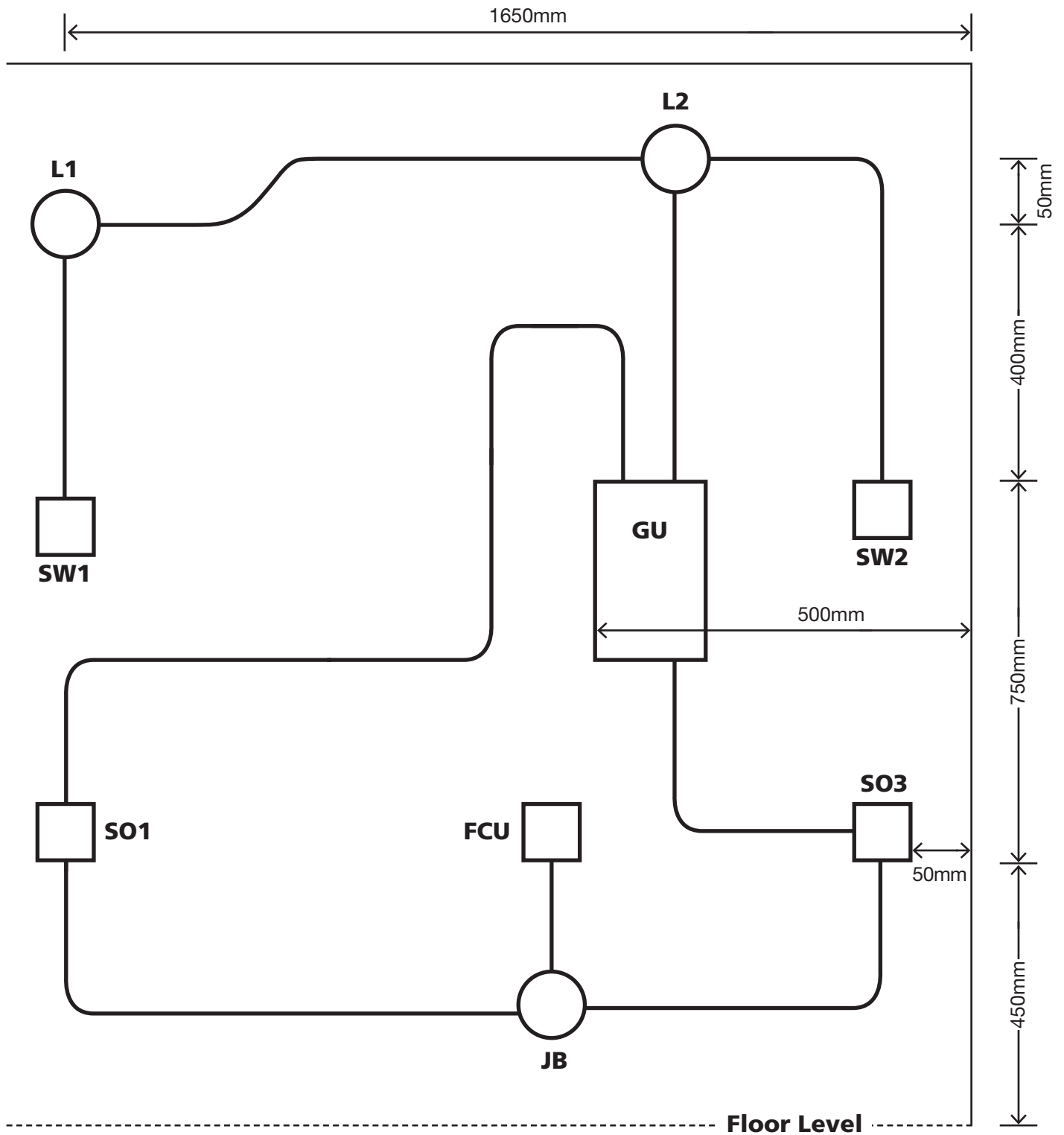


National Apprentice Electrician of the Year 2016 Regional heat installation layout drawing



Sparks 2016 Regional Heats

Key to drawing:

GU	Garage unit.
SW1 & SW2	1 gang 1 way switch.
JB	30A Joint box.
L1, L2,	Pendant sets mounted upon circular plastic conduit boxes.
SO	1 gang switched socket outlet.
FCU	Fused connection unit

Instructions

There are 2 circuits, a 6A lighting circuit and a 32A ring. You are to wire 1st fix and then 2nd fix. There is no requirement to test this exercise.

Please note that the measurements could change dependant on the board layout of different test centres, you will be informed of any changes beforehand.

The lighting circuit is to be installed in 20mm high impact plastic conduit, you are not required to use glue on joints. The circuit is to be wired in the most economical way possible using 1.5mm² single cables.

SW1 controls L2

SW2 control s L1

The S/S/O installation is to be carried out using 2.5mm² twin & earth cable.

SO 1 & SO 3 are to be wired as a ring final circuit and the FCU wired as a spur.

Further instructions:

You have 15 minutes to discuss the exercise with your lecturers before commencing.

You are required to work safely at all times and wear appropriate PPE equipment.

Excessive wastage of materials and an untidy work place will result in lost marks.

If you get stuck or are unsure don't panic, ask for guidance from the adjudicator.

You have 5 hours to complete the installation.

Special Note to lecturers:

You are not allowed to revisit the work place after the competition has commenced.

We would request assistance with the marking from lecturers however whilst you are welcome to observe you cannot mark your own candidates work.